



DC COMPONENTS CO., LTD.

RECTIFIER SPECIALISTS

SMA3EZ6.2  
THRU  
SMA3EZ200

TECHNICAL SPECIFICATIONS OF SURFACE MOUNT SILICON ZENER DIODES

VOLTAGE RANGE - 6.2 to 200 Volts

CURRENT - 3.0 Watts

FEATURES

- \* Voltage Range:6.2V to 200V
- \* Build-in strain relief
- \* Glass passivated junction
- \* Low inductance
- \* Excellent clamping capability
- \* Low profile package

MECHANICAL DATA

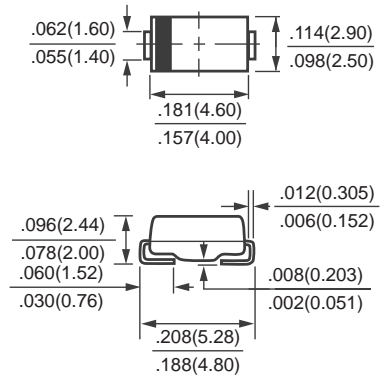
- \* Case: Molded plastic
- \* Epoxy: UL 94V-0 rate flame retardant
- \* Terminals: Solder plated, solderable per MIL-STD-750, Method 2026
- \* Polarity: As Marked
- \* Mounting position: Any
- \* Weight: 0.064 gram

MAXIMUM RATINGS AND ELECTRICAL CHARACTERISTICS

Ratings at 25 °C ambient temperature unless otherwise specified.  
Single phase, half wave, 60 Hz, resistive or inductive load.  
For capacitive load, derate current by 20%.



SMA ( DO-214AC )



Dimensions in inches(millimeters)

	SYMBOL	VALUE	UNITS
Zener Current see Table "Characteristics"			
Power Dissipation (Notes 1) at Tamb=25°C	P <sub>tot</sub>	3	W
Peak Forward Surge Current, 8.3ms single half sine-wave superimposed on rated load (JEDEC Method) (Notes 2)	I <sub>FSM</sub>	15	Amps
Maximum Forward Voltage at I <sub>F</sub> =500mA	V <sub>F</sub>	1.2	Volts
Operating and Storage Temperature	T <sub>J</sub> ,T <sub>stg</sub>	-55 to + 150	°C

Notes: 1. Mounted on 5.0mm<sup>2</sup> (.013mm thick) land areas.

2. Measured on 8.3ms, single half sine-wave or equivalent square wave, duty cycle = 4 pulses per minute maximum.

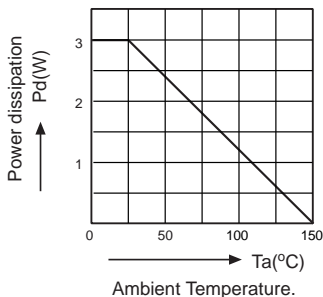


Fig. 1 - Changes in the power dissipation due to the ambient temperature.

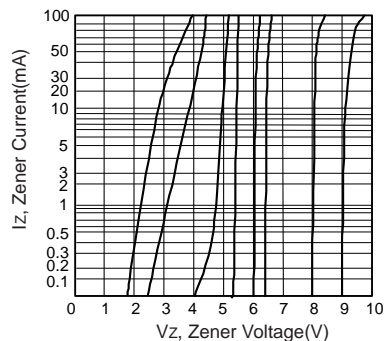


Fig. 2 - V<sub>Z</sub>=3.9 Thru 10 Volts

# RATING AND CHARACTERISTIC CURVES (SMA3EZ6.2 THRU SMA3EZ200)

TYPE	Nominal Zener Voltage $V_Z@I_{ZT}$	Zener Test Current $I_{ZT}$ mA	Maximum Zener Impedance		$I_{ZK}$ mA	Maximum Reverse Leakage Current		Maximum Regulator Current $I_{ZM}$ mA
			$Z_{ZT}@I_{ZT}$ Ohms	$Z_{ZK}@I_{ZK}$ Ohms		$I_R$ uA	@ $V_R$ Volts	
SMA3EZ6.2	6.2	121	1.5	700	1.00	5.0	3.0	435
SMA3EZ6.8	6.8	110	2.0	700	1.00	50.0	4.0	393
SMA3EZ7.5	7.5	100	2.0	700	0.50	50.0	5.0	360
SMA3EZ8.2	8.2	91	2.3	700	0.50	50.0	6.0	330
SMA3EZ9.1	9.1	82	2.5	700	0.50	50.0	7.0	297
SMA3EZ10	10	75	3.5	700	0.25	50.0	7.6	270
SMA3EZ11	11	68	4.0	700	0.25	1.0	8.4	225
SMA3EZ12	12	63	4.5	700	0.25	1.0	9.1	246
SMA3EZ13	13	58	4.5	700	0.25	0.5	9.9	208
SMA3EZ15	15	50	5.5	700	0.25	0.5	11.4	180
SMA3EZ16	16	47	5.5	700	0.25	0.5	12.2	169
SMA3EZ18	18	42	6.0	750	0.25	0.5	13.7	159
SMA3EZ20	20	37	7.0	750	0.25	0.5	15.2	135
SMA3EZ22	22	34	8.0	750	0.25	0.5	16.7	123
SMA3EZ24	24	31	9.0	750	0.25	0.5	18.2	112
SMA3EZ27	27	28	10	750	0.25	0.5	20.6	100
SMA3EZ30	30	25	16	1000	0.25	0.5	22.5	90
SMA3EZ33	33	23	20	1000	0.25	0.5	25.1	82
SMA3EZ36	36	21	22	1000	0.25	0.5	27.4	75
SMA3EZ39	39	19	28	1000	0.25	0.5	29.7	69
SMA3EZ43	43	17	33	1500	0.25	0.5	32.7	63
SMA3EZ47	47	16	38	1500	0.25	0.5	35.6	57
SMA3EZ51	51	15	45	1500	0.25	0.5	38.8	53
SMA3EZ56	56	13	50	2000	0.25	0.5	42.6	48
SMA3EZ62	62	12	55	2000	0.25	0.5	47.1	44
SMA3EZ68	68	11	70	2000	0.25	0.5	51.7	40
SMA3EZ75	75	10	85	2000	0.25	0.5	56.0	36
SMA3EZ82	82	9.1	95	3000	0.25	0.5	62.2	33
SMA3EZ91	91	8.2	115	3000	0.25	0.5	69.2	30
SMA3EZ100	100	7.5	160	3000	0.25	0.5	76.0	27
SMA3EZ110	110	6.8	225	4000	0.25	0.5	83.6	25
SMA3EZ120	120	6.3	300	4500	0.25	0.5	91.2	22
SMA3EZ130	130	5.8	375	5000	0.25	0.5	98.8	21
SMA3EZ150	150	5.0	550	6000	0.25	0.5	114.0	18
SMA3EZ160	160	4.7	625	6500	0.25	0.5	121.6	17
SMA3EZ180	180	4.2	700	7000	0.25	0.5	136.8	15
SMA3EZ200	200	3.7	875	8000	0.25	0.5	152.0	13

NOTE: Standard Zener Voltage Tolerance  $\pm 5\%$

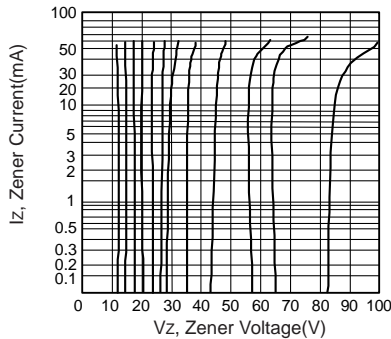


Fig. 3 -  $V_Z=12$  Thru 82 Volts

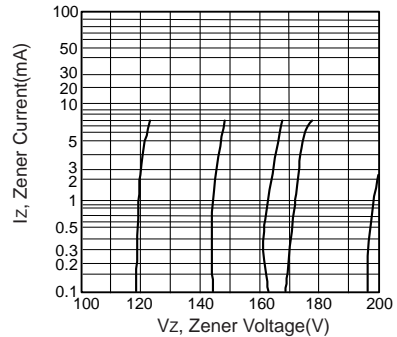


Fig. 4 -  $V_Z=100$  Thru 200 Volts

## Disclaimer

Any Customer or user of this document or products described herein in such applications shall assume all risks of such use and will agree to hold *DC COMPONENTS* harmless against all damages.

*DC COMPONENTS* disclaims any and all liability arising out of the application or use of any product, including consequential or incidental damages. Statement regarding the suitability of products for certain types of applications are based on *DC COMPONENTS*'s knowledge of typical requirements that are often placed on *DC COMPONENTS* products in generic applications. Such statements are not binding statements about the suitability of products for a particular application. It is the customer's responsibility to validate that a particular product with the properties described in the product specification is suitable for use in a particular application.

*DC COMPONENTS* reserve the right to make modifications, enhancements, improvements, corrections or other changes without further notice to this document and any product described herein, and disclaim any and all liability for any errors, inaccuracies or incompleteness contained in any datasheet or in any other disclosure relating to any product. Parameters provided in datasheets and specifications may vary in different applications and performance may vary over time. All operating parameters, including typical parameters, must be validated for each customer application by the customer's technical experts. Product specifications do not expand or otherwise modify *DC COMPONENTS*'s terms and conditions of purchase, including but not limited to the warranty expressed therein.

Unless otherwise in writing, *DC COMPONENTS* products are intended for use as general electronic components in standard applications ( eg: Consumer electronic, Computer equipment, Office equipment, etc.), and not recommended for use in a high specific application where a failure or malfunction of the device could result in human injury or death ( eg: Aerospace equipment, Submarine cables, Combustion equipment, Safety devices, Life support systems, etc.)

Customers using or selling *DC COMPONENTS* products not expressly indicated for use in such applications do so at their own risk. If customer intended to use *DC COMPONENTS* standard quality grade devices for applications not envisioned by *DC COMPONENTS*, please contact our sales representatives in advance.



*DC COMPONENTS CO., LTD.*