



DC COMPONENTS CO., LTD.

RECTIFIER SPECIALISTS

DLQ103A
THRU
DLQ103C

TECHNICAL SPECIFICATIONS OF SCHOTTKY BARRIER RECTIFIER

VOLTAGE RANGE - 20 to 40 Volts

CURRENT - 0.35 Ampere

FEATURES

- * For general purpose applications
- * Low turn-on voltage
- * Fast switching time
- * Protected by a PN junction guard ring against excessive voltage, such as electrostatic discharge(ESD)

MECHANICAL DATA

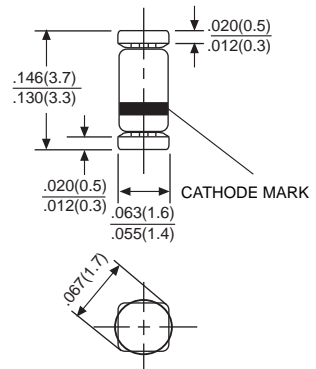
- * Case: Glass sealed case Quadro Melf
- * Terminals: Solder plated solderable per MIL-STD-750, Method 2026
- * Polarity: Color band denotes cathode end
- * Mounting position: Any
- * Weight: 0.05 gram approx.

MAXIMUM RATINGS AND ELECTRICAL CHARACTERISTICS

Ratings at 25°C ambient temperature unless otherwise specified.
Single phase, half wave, 60Hz, resistive or inductive load.
For capacitive load, derate current by 20%.



Quadro Melf



Dimensions in inches and (millimeters)

	SYMBOL	DLQ103A	DLQ103B	DLQ103C	UNITS
Maximum Recurrent Peak Reverse Voltage	V _{RRM}	40	30	20	Volts
Maximum RMS Voltage	V _{RMS}	28	21	14	Volts
Maximum DC Blocking Voltage	V _{DC}	40	30	20	Volts
Maximum Average Forward Rectified Current at T _A =25°C	I _O	0.35			Amps
Peak Forward Surge Current at t=0.3mS	I _{FSM}	15			Amps
Maximum Instantaneous Forward Voltage	@ I _F =0.2A	0.6			Volts
	@ I _F =0.02A	0.37			
Maximum DC Reverse Current	I _R	5.0 @ V _R =30V	5.0 @ V _R =20V	5.0 @ V _R =10V	μAmps
Typical Thermal Resistance (Note1)	RθJA	250			°C/W
Typical Junction Capacitance (Note 2)	C _J	50			pF
Storage Operating Temperature Range	T _J , T _{STG}	-55 to +125			°C

Note: 1. Terminals maintained at specified at ambient temperature.
2. Measured at 1 MHz and applied reverse voltage of 0 volts.

RATING AND CHARACTERISTIC CURVES (DLQ103A THRU DLQ103C)

FIG. 1
TYPICAL FORWARD CURRENT
DERATING CURVE

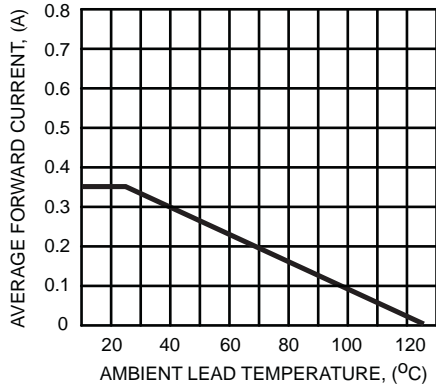


FIG. 2
TYPICAL INSTANTANEOUS FORWARD
CHARACTERISTICS

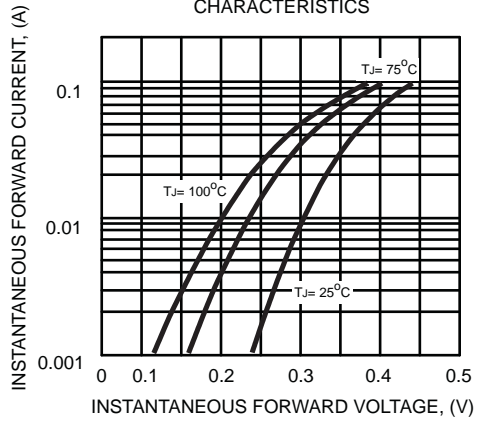


FIG. 3
TYPICAL REVERSE CHARACTERISTICS

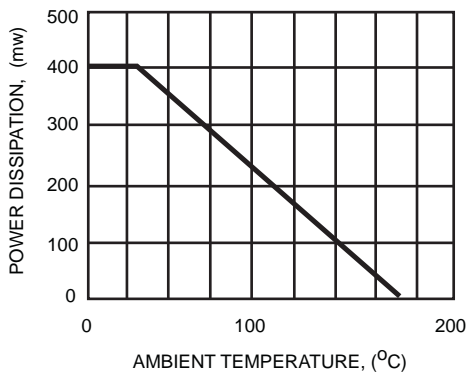


FIG. 4
TYPICAL REVERSE CHARACTERISTICS

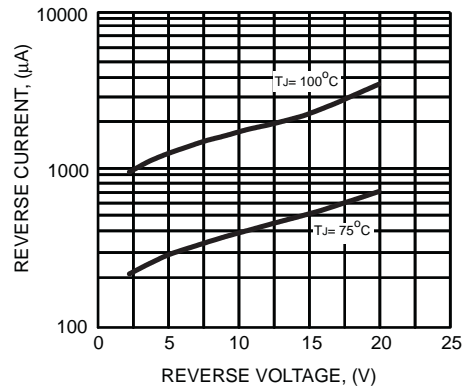
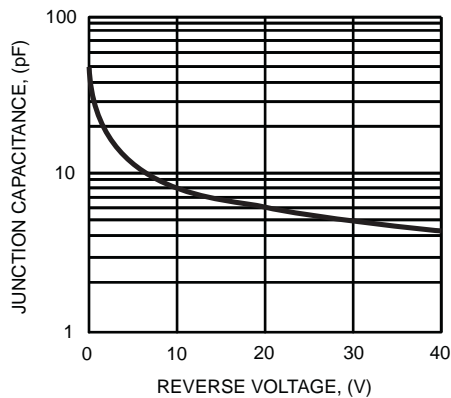


FIG. 5
TYPICAL JUNCTION CAPACITANCE



Disclaimer

Any Customer or user of this document or products described herein in such applications shall assume all risks of such use and will agree to hold *DC COMPONENTS* harmless against all damages.

DC COMPONENTS disclaims any and all liability arising out of the application or use of any product, including consequential or incidental damages. It is the customer's responsibility to validate that a particular product with the properties described in the product specification is suitable for use in a particular application.

DC COMPONENTS reserve the right to make modifications, enhancements, improvements, corrections or other changes without further notice to this document and any product described herein, and disclaim any and all liability for any errors, inaccuracies or incompleteness contained in any datasheet or in any other disclosure relating to any product.

Unless otherwise in writing, *DC COMPONENTS* products are intended for use as general electronic components in standard applications (eg: Consumer electronic, Computer equipment, Office equipment, etc.), and not recommended for use in a high specific application where a failure or malfunction of the device could result in human injury or death (eg: Aerospace equipment, Submarine cables, Combustion equipment, Safety devices, Life support systems, etc.)

Customers using or selling *DC COMPONENTS* products not expressly indicated for use in such applications do so at their own risk. If customer intended to use *DC COMPONENTS* standard quality grade devices for applications not envisioned by *DC COMPONENTS*, please contact our sales representatives in advance.



DC COMPONENTS CO., LTD.