



DC COMPONENTS CO., LTD.

DISCRETE SEMICONDUCTORS

PN2222A

TECHNICAL SPECIFICATIONS OF NPN EPITAXIAL PLANAR TRANSISTOR

Description

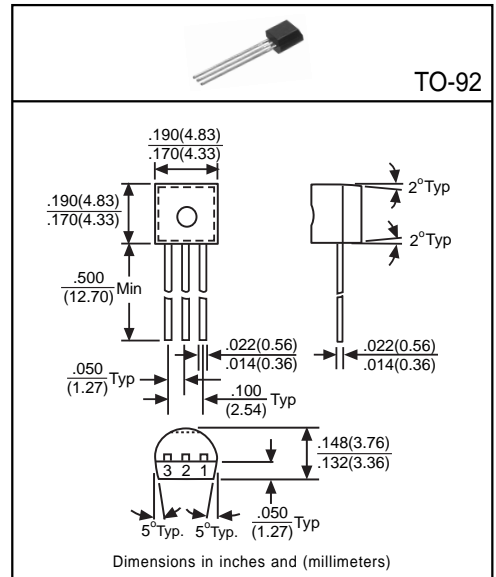
Designed for general purpose amplifier and high-speed, medium-power switching applications.

Pinning

- 1 = Emitter
- 2 = Base
- 3 = Collector

Absolute Maximum Ratings (TA=25°C)

Characteristic	Symbol	Rating	Unit
Collector-Base Voltage	V <sub>CB0</sub>	75	V
Collector-Emitter Voltage	V <sub>CEO</sub>	40	V
Emitter-Base Voltage	V <sub>EB0</sub>	6	V
Collector Current	I <sub>C</sub>	600	mA
Total Power Dissipation	P <sub>D</sub>	625	mW
Junction Temperature	T <sub>J</sub>	+150	°C
Storage Temperature	T <sub>STG</sub>	-55 to +150	°C



Electrical Characteristics

(Ratings at 25°C ambient temperature unless otherwise specified)

Characteristic	Symbol	Min	Typ	Max	Unit	Test Conditions
Collector-Base Breakdown Voltage	BV <sub>CB0</sub>	75	-	-	V	I <sub>C</sub> =10μA, I <sub>E</sub> =0
Collector-Emitter Breakdown Voltage	BV <sub>CEO</sub>	40	-	-	V	I <sub>C</sub> =10mA, I <sub>B</sub> =0
Emitter-Base Breakdown Voltage	BV <sub>EB0</sub>	6	-	-	V	I <sub>E</sub> =10μA, I <sub>C</sub> =0
Collector Cutoff Current	I <sub>CBO</sub>	-	-	10	nA	V <sub>CB</sub> =60V, I <sub>E</sub> =0
	I <sub>CEX</sub>	-	-	10	nA	V <sub>CB</sub> =60V, V <sub>EB(off)</sub> =3V
Emitter Cutoff Current	I <sub>EBO</sub>	-	-	100	nA	V <sub>EB</sub> =3V, I <sub>C</sub> =0
Collector-Emitter Saturation Voltage <sup>(1)</sup>	V <sub>CE(sat)1</sub>	-	-	0.3	V	I <sub>C</sub> =150mA, I <sub>B</sub> =15mA
	V <sub>CE(sat)2</sub>	-	-	1	V	I <sub>C</sub> =500mA, I <sub>B</sub> =50mA
Base-Emitter Saturation Voltage <sup>(1)</sup>	V <sub>BE(sat)1</sub>	-	-	1.2	V	I <sub>C</sub> =150mA, I <sub>B</sub> =15mA
	V <sub>BE(sat)2</sub>	-	-	2	V	I <sub>C</sub> =500mA, I <sub>B</sub> =50mA
DC Current Gain <sup>(1)</sup>	h <sub>FE1</sub>	35	-	-	-	I <sub>C</sub> =0.1mA, V <sub>CE</sub> =10V
	h <sub>FE2</sub>	50	-	-	-	I <sub>C</sub> =1mA, V <sub>CE</sub> =10V
	h <sub>FE3</sub>	75	-	-	-	I <sub>C</sub> =10mA, V <sub>CE</sub> =10V
	h <sub>FE4</sub>	100	-	300	-	I <sub>C</sub> =150mA, V <sub>CE</sub> =10V
	h <sub>FE5</sub>	40	-	-	-	I <sub>C</sub> =500mA, V <sub>CE</sub> =10V
	h <sub>FE6</sub>	50	-	-	-	I <sub>C</sub> =150mA, V <sub>CE</sub> =1V
Transition Frequency	f <sub>T</sub>	300	-	-	MHz	I <sub>C</sub> =20mA, V <sub>CE</sub> =20V, f=100MHz
Output Capacitance	C <sub>ob</sub>	-	-	8	pF	V <sub>CB</sub> =10V, f=1MHz

(1) Pulse Test: Pulse Width ≤ 380μs, Duty Cycle ≤ 2%