



DC COMPONENTS CO., LTD.

DISCRETE SEMICONDUCTORS

2N6520

TECHNICAL SPECIFICATIONS OF PNP EPITAXIAL PLANAR TRANSISTOR

Description

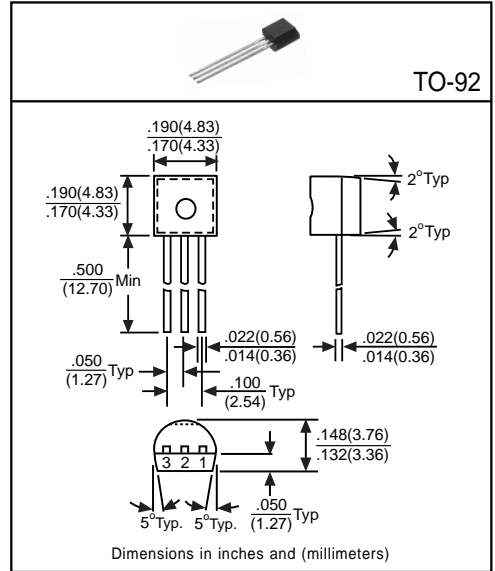
Designed for applications requiring high breakdown voltage.

Pinning

- 1 = Emitter
- 2 = Base
- 3 = Collector

Absolute Maximum Ratings (T_A=25°C)

Characteristic	Symbol	Rating	Unit
Collector-Base Voltage	V _{CB0}	-350	V
Collector-Emitter Voltage	V _{CEO}	-350	V
Emitter-Base Voltage	V _{EB0}	-5	V
Collector Current	I _C	-500	mA
Total Power Dissipation	P _D	625	mW
Junction Temperature	T _J	+150	°C
Storage Temperature	T _{STG}	-55 to +150	°C



Electrical Characteristics

(Ratings at 25°C ambient temperature unless otherwise specified)

Characteristic	Symbol	Min	Typ	Max	Unit	Test Conditions
Collector-Base Breakdown Voltage	BV _{CB0}	-350	-	-	V	I _C =-100μA, I _E =0
Collector-Emitter Breakdown Voltage	BV _{CEO}	-350	-	-	V	I _C =-1mA, I _B =0
Emitter-Base Breakdown Voltage	BV _{EB0}	-5	-	-	V	I _E =-10μA, I _C =0
Collector Cutoff Current	I _{CBO}	-	-	-50	nA	V _{CB} =-250V, I _E =0
Emitter Cutoff Current	I _{EBO}	-	-	-50	nA	V _{EB} =-4V, I _C =0
Collector-Emitter Saturation Voltage ⁽¹⁾	V _{CE(sat)1}	-	-	-0.30	V	I _C =-10mA, I _B =-1mA
	V _{CE(sat)2}	-	-	-0.35	V	I _C =-20mA, I _B =-2mA
	V _{CE(sat)3}	-	-	-0.50	V	I _C =-30mA, I _B =-3mA
Base-Emitter Saturation Voltage ⁽¹⁾	V _{BE(sat)1}	-	-	-0.75	V	I _C =-10mA, I _B =-1mA
	V _{BE(sat)2}	-	-	-0.85	V	I _C =-20mA, I _B =-2mA
	V _{BE(sat)3}	-	-	-0.90	V	I _C =-30mA, I _B =-3mA
Base-Emitter On Voltage ⁽¹⁾	V _{BE(on)}	-	-	-2	V	I _C =-100mA, V _{CE} =-10V
DC Current Gain ⁽¹⁾	h _{FE1}	20	-	-	-	I _C =-1mA, V _{CE} =-10V
	h _{FE2}	30	-	-	-	I _C =-10mA, V _{CE} =-10V
	h _{FE3}	30	-	200	-	I _C =-30mA, V _{CE} =-10V
	h _{FE4}	20	-	200	-	I _C =-50mA, V _{CE} =-10V
Transition Frequency	f _T	40	-	200	MHz	I _C =-10mA, V _{CE} =-20V, f=20MHz
Output Capacitance	C _{ob}	-	-	6	pF	V _{CB} =-20V, f=1MHz, I _E =0

(1) Pulse Test: Pulse Width ≤ 380μs, Duty Cycle ≤ 2%