



DC COMPONENTS CO., LTD.
RECTIFIER SPECIALISTS

BZT52C2V4S
THRU
BZT52C75S

TECHNICAL SPECIFICATIONS OF SURFACE MOUNT ZENER DIODES

FEATURES

- * Planar Die construction
- * Zener Voltages from 2.4V - 75V
- * 200mW Power Dissipation
- * Ideally Suited for Automated Assembly Processes

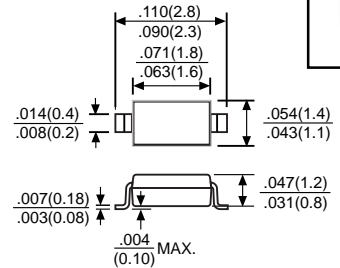
MECHANICAL DATA

- * Case: Molded Plastic
- * Terminals: Solder plated, solderable per MIL-STD-202, Method 208
- * Polarity: See Diagram Below
- * Mounting position: Any
- * Weight: 0.008 gram Approx.

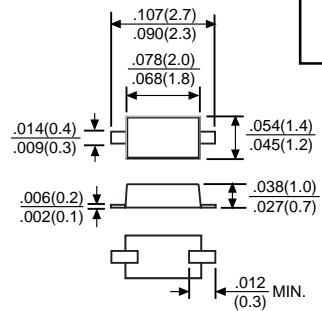
MAXIMUM RATINGS AND ELECTRICAL CHARACTERISTICS

Ratings at 25 °C ambient temperature unless otherwise specified.
Single phase, half wave, 60 Hz, resistive or inductive load.
For capacitive load, derate current by 20%.

SOD-323



SOD-323F (Suffix "F" to part No.)



Dimensions in inches(millimeters)

	SYMBOL	VALUE	UNITS
Zener Current see Table "Characteristics"			
Maximum Power Dissipation @TA=25°C	Ptot	200	mW
Maximum Forward Voltage @IF=10mA	VF	0.9	Volts
Typical Thermal Resistance	RθJA	635	°C/W
Operating and Storage Temperature	TJ,Tstg	-55 to +150	°C

Note: Substituting "BZF" for "BZT" and adding suffix "S" indicates "SOD-323F" package.
(e.g.: BZF5C3V4S,.....BZF52C75S)

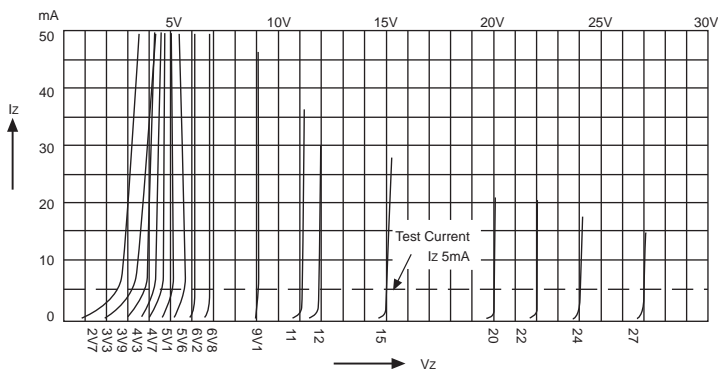
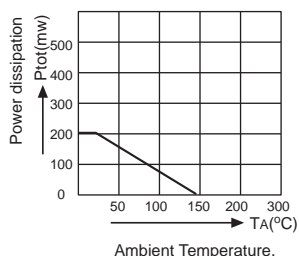
RATING AND CHARACTERISTIC CURVES (BZT52CxxS SERIES)

TYPE	Nominal Zener Voltage $V_Z @ I_{ZT}$		Zener Test Current I_{ZT}	Maximum Zener Impedance			Maximum Reverse Leakage Current	
				$Z_{ZT} @ I_{ZT}$	$Z_{ZK} @ I_{ZK}$	I_{ZK}	$I_R @ V_R$	
	Min	Max		mA	Ohms	Ohms	mA	μA
BZT52C2V4S	2.2	2.6	5	85	600	1	100	1
BZT52C2V7S	2.5	2.9	5	83	600	1	75	1
BZT52C3V0S	2.8	3.2	5	95	600	1	50	1
BZT52C3V3S	3.1	3.5	5	95	600	1	25	1
BZT52C3V6S	3.4	3.8	5	95	600	1	15	1
BZT52C3V9S	3.7	4.1	5	95	600	1	10	1
BZT52C4V3S	4.0	4.6	5	95	600	1	5	1
BZT52C4V7S	4.4	5.0	5	78	500	1	5	1
BZT52C5V1S	4.8	5.4	5	60	480	1	0.1	0.8
BZT52C5V6S	5.2	6.0	5	40	400	1	0.1	1
BZT52C6V2S	5.8	6.6	5	10	150	1	0.1	2
BZT52C6V8S	6.4	7.2	5	8	80	1	0.1	3
BZT52C7V5S	7.0	7.9	5	7	80	1	0.1	5
BZT52C8V2S	7.7	8.7	5	7	80	1	0.1	6
BZT52C8V7S	8.3	9.1	5	7	100	1	0.1	6.5
BZT52C9V1S	8.5	9.6	5	10	100	1	0.1	7
BZT52C10S	9.4	10.6	5	15	150	1	0.1	7.5
BZT52C11S	10.4	11.6	5	20	150	1	0.1	8.5
BZT52C12S	11.4	12.7	5	20	150	1	0.1	9
BZT52C13S	12.4	14.1	5	25	170	1	0.1	10
BZT52C14S	13.3	14.7	5	25	170	1	0.1	10.5
BZT52C15S	13.8	15.6	5	30	200	1	0.1	11
BZT52C16S	15.3	17.1	5	40	200	1	0.1	12
BZT52C17S	16.2	17.9	5	40	200	1	0.1	13
BZT52C18S	16.8	19.1	5	50	225	1	0.1	14
BZT52C20S	18.8	21.2	5	50	225	1	0.1	15
BZT52C22S	20.8	23.3	5	55	250	1	0.1	17
BZT52C24S	22.8	25.6	5	80	250	1	0.1	18
BZT52C27S	25.1	28.9	5	80	300	1	0.1	20
BZT52C28S	15.3	17.1	5	80	300	1	0.1	22
BZT52C30S	28	32	5	80	300	1	0.1	22.5
BZT52C33S	31	35	5	80	325	1	0.1	25
BZT52C36S	34	38	5	90	350	1	0.1	27
BZT52C39S	37	41	5	90	350	1	0.1	29
BZT52C43S	41	45	5	100	375	1	0.1	32
BZT52C47S	45	49	5	100	375	1	0.1	35
BZT52C51S	49	54	5	100	400	1	0.1	38
BZT52C56S	53	59	2.5	135	1000	1	0.1	42
BZT52C62S	59	65	2.5	150	1000	1	0.1	46
BZT52C68S	65	71	2.5	200	100	1	0.1	51
BZT52C75S	72	78	2.5	250	1000	1	0.1	56

NOTE: Standard Zener Voltage Tolerance $\pm 5\%$

Breakdown characteristics BZT52-SERIES

changes in the power dissipation due to the ambient temperature.



DC COMPONENTS CO., LTD.